



**Product data**

Product code	<b>VA01-0166</b>	STK-code	<b>5200328</b>	EAN-code	<b>6410052003289</b>
Product name	Cable lug PKK 16-14-90 Cu			ETIM class	<b>EC001051</b>
Wires	Cu 16 mm <sup>2</sup>				

**Technical data**

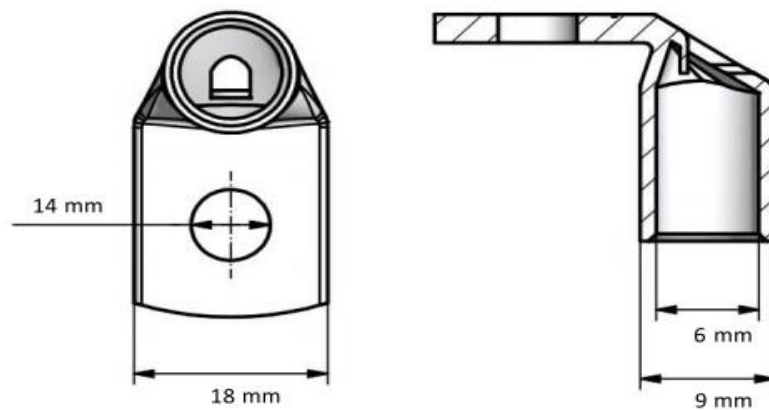
	-	
	-	
	-	
	-	
	-	
	-	
	-	
Number of poles	<b>1</b>	pcs
Max. Cross section	<b>16</b>	mm <sup>2</sup>
	-	
	-	
	-	
	-	
	-	
Weight	<b>11</b>	g
	-	
	-	
Color / Material	<b>Tin plated copper</b>	
Mounting / Connection	<b>Crimping</b>	



**Description**

Cable lugs are used for connecting copper cables. Installation of the cable lugs can be performed with the most basic crimping tools. Cable lugs are compatible with all kinds of stranded (also compressed and PEX-type) wires.

**Drawing**



**Package**

Package	<b>Box</b>	Pcs / Package	<b>50</b>	Weight [kg]	<b>0,552</b>
Length [mm]	<b>86</b>	Width [mm]	<b>68</b>	Height [mm]	<b>82</b>

**Ouneva Oy**

Teollisuustie 21  
FI-82730 Tuupovaara  
Finland

Tel. +358 400 179 750  
[info@ouneva.fi](mailto:info@ouneva.fi)

[www.ounevagroup.fi](http://www.ounevagroup.fi)  
[www.ounevaproducts.fi](http://www.ounevaproducts.fi)