

DULUX D[®] LED EM 7W / 10W



- Innovative LED-Lamp easy and safe to use in CCG luminaire
- Energy saving potential of up to 60% compared to conventional Conventional CFL pin 18W and 26W lamps
- Low maintenance cost thanks to long lifetime up to 30,000hrs,
- No flickering, instant 100% light

Technical features

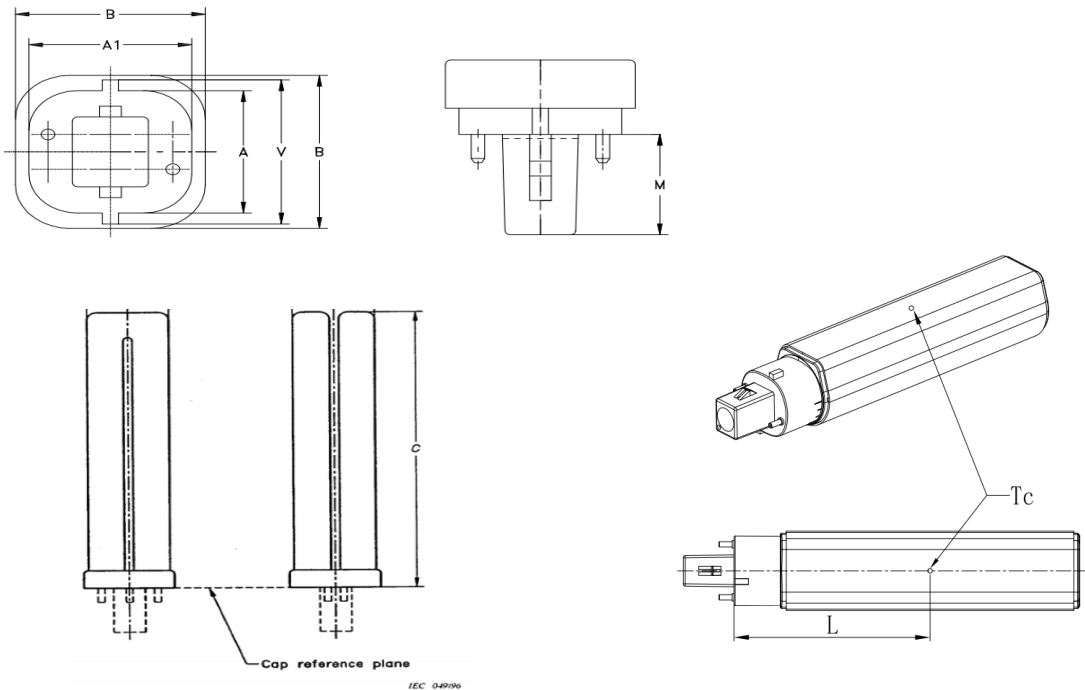
- Can replace with DULUX D[®] LED without modifications, using a similar DULUX D[®] form-factor
- Available in 3 colors: 3000/4000/6500K
- Beam angle: 120°
- PF: 0.9
- DULUX D LED has the rotating end-cap feature enables to direct light where you would like to have it. can turn the lamp base from - 45 to 90°. Thanks to rotatable en-cap feature, light distribution optimization is possible
- Easy and safe replacement of DULUX D 18W and 26W.
- DULUX D LED lamps are compatible with electromagnetic ballasts (EM)
- DULUX D[®] LED EM is not suitable for operation at 230V or ECG
- DULUX D LED EM is only possible for horizontal application. Base down application is not possible

DULUX D[®] LED Product specifications

	Watt	lumen	type	CCT	base	Voltage	CRI	EAN10
DULUX D LED	7	640	EM	3000	G24d-2	220-240	83	4058075024915
DULUX D LED	7	700	EM	4000	G24d-2	220-240	83	4058075024939
DULUX D LED	7	700	EM	6500	G24d-2	220-240	83	4058075024953
DULUX D LED	10	920	EM	3000	G24d-3	220-240	83	4058075024977
DULUX D LED	10	1000	EM	4000	G24d-3	220-240	83	4058075024991
DULUX D LED	10	1000	EM	6500	G24d-3	220-240	83	4058075025011

DULUX D[®] LED EM

	Maximum temperature @ T _c test point	Storage temperature T _s	Ambient temperature T _a
DULUX-D-LED	70°C	-20° ... 60°C	-20° ... 35°C



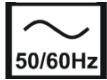
Product	A	A1	B	C	M	L
DULUX-D-LED-7W	28.4 mm	30.2 mm	32.7 mm	125.7 mm	21.8 mm	70 mm

Product	A	A1	B	C	M	L
DULUX-D-LED-10W	28.4 mm	30.2 mm	32.7 mm	148.7 mm	21.8 mm	85 mm



Safety and Application notes

DULUX® D LED must not be damaged or operated in a damaged condition



*Lamp suitable for 50 Hz
or 60 Hz operation*



*Lamp not suitable for high
frequency operation*



*Lamp not suitable for
emergency operation*

- DULUX® D LED emits light only with a limited angle, unlike a fluorescent tube with 360° output.
- Due to the characteristic light distribution of DULUX® D LED, the resulting luminaire light characteristic is likely to change.
- It is not guaranteed that e.g. standards for lighting at working places will be complied to after replacement.
- A photometric check of the installation is recommended.
- The effective energy savings depend on the efficiency of the luminaire setup to be replaced and should be considered individually in each case.
- DULUX® D LED is protected according to IP20.**
- Particularly magnetic ballast losses are reduced to ohmic losses and are normally only about 1W.
- Photobiological Safety of lamps and lamp systems according to IEC 62471. Risk Group: Exempt
- DULUX D LED can used only as **horizontal application**.