

Thanks to its sturdy construction, the luminaire is suited to use in wet areas in industry and sites where there is a large danger of breakage. The globe is of impact-resistant polycarbonate and is mounted with four screws. The housings have 2 aluminum cable gland seals PG 16. M24 possible and also PG16/M20 adapter.

Opal globe, the globes are also available as painted or with text labels. The color of the luminaire frame is in standard grey RAL7035 or Brown, beige RAL 7032, white 9010, white 9016 or as specified separately by the customer. Models painted with RAL7035 have a higher shield against UV and a higher protection against corrosion than other RAL colors.

LED-4700 models are marine suitable.

Through connection models also available. Model with shield frame also available, IK10.

3D CAD models also available, e.g. IGS. and STEP files.

VOLTAGE **220-240V AC 50-60 Hz**, 220-240 DC/50-60 Hz also, America model also as 120 – 240V AC C/US

ENCLOSURE CLASS IP 67 (IP68 Cable glands and IP69K Cable glands also available and Harax)

TEMPERATURE RANGE -25 °C - + 45 °C

CONNECTORS Terminal block 4mm² + protective earth

LAMP SOCKET Inbuilt Led-module

WEIGHT 0,74 kg net

CABLE GLAND 2 x PG16 / Cable Ø 11 mm as standard

LIGHT DISTRIBUTION 3,1W = 229 lm / 6,3W = 493 lm (Light distribution files, IES. & LDT.)

VIBRATION IEC 60068-2-6, Test Fc: Vibration (sinusoidal) / HODK0001

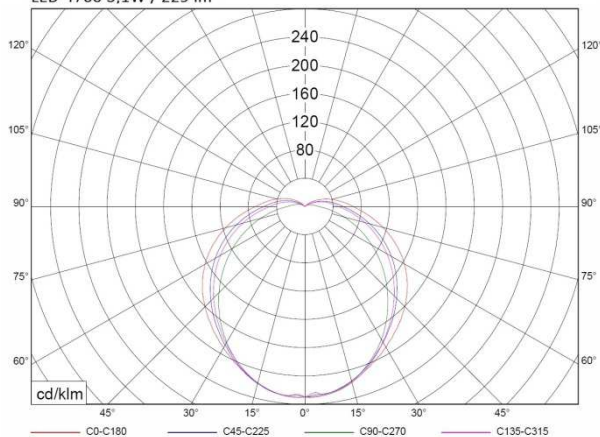
COUNTRY OF ORIGIN Finland / Suomi

MODELS Please ask for more information or see Selcast homepage, different colors and different equipped.

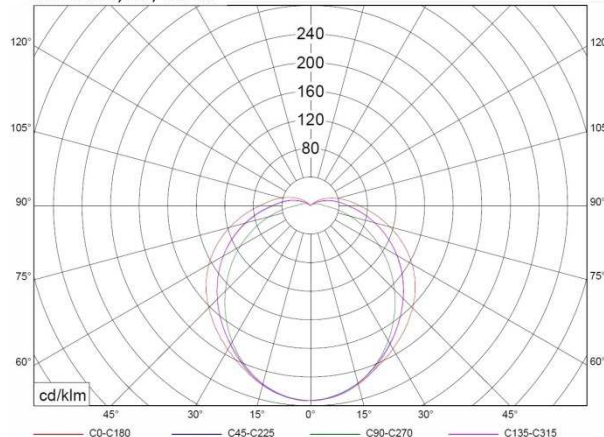
CERTIFICATION SGS Fimko, FI 28645 / CE & FI: Certificated according to the standard; EN60598-2-1:1989,

EN 60598-1:2008+A11:2009, EN 62493:2010, EN 62471:2008

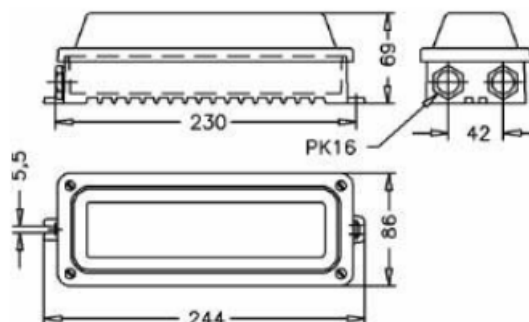
Selcast Oy
LED-4700 3,1W / 229 lm



Selcast Oy
LED-4700 6,3W / 493 lm



43 071 53 & 43 071 56 RAL7035 Colored



We reserve the right to make technical and design changes to the product

| OSOITE | ADDRESS | PUHELIN/PHONE | TELEFAX | E-MAIL | KOTIPAIKKA | Y-TUNNUS |
|--------------|-----------------|-------------------|-------------------|--------------------|------------|------------|
| Kilantie 19 | Kilantie 19 | 019-278 5800 | 019-278 5811 | selcast@selcast.fi | REGISTRED | 0728634-7 |
| PL 36 | BOX 36 | + 358 19 278 5800 | + 358 19 278 5811 | HOME PAGE | Karjaa | VAT-NUMBER |
| 10301 Karjaa | FI-10301 Karjaa | | | www.selcast.fi | | FI07286347 |