



PUSHBUTTON, Model 511 1 A, 250 V, IP 68, E 10

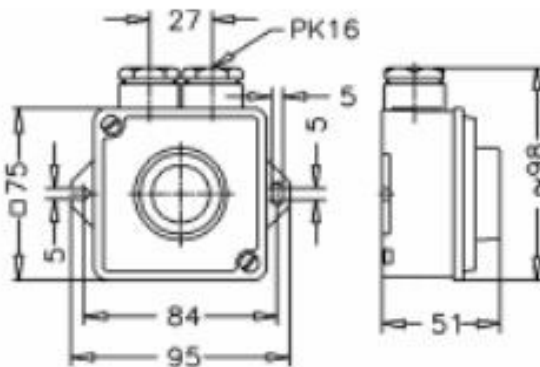
Product no: **20 454 61, 20 454 71, 20 454 81**

- Aluminum cable gland seals PG 16, cable Ø 11 mm
- IP 67 (IP68 model available)
- The pushbutton is delivered without an incandescent lamp.
- The pushbutton is protected against external impacts.
- With acid-resistant cover screws and nitrile rubber seals.
- Clear globe (Globe in different colors possible)
- Cover can be flipped
- PG 16 penetrations, see picture below
- CE-certified to the standard EN60669-1:1999 + A1:2002

More information on Selcast homepage, www.selcast.fi



Picture of 20 454 61



Selcast Oy

Kilantie 19 (BOX 36)
10300 KARJAA (10301 KARJAA)
FINLAND
+358 19 278 5800
www.selcast.fi selcast@selcast.fi