

HEAT-RESISTANT JUNCTION BOX, 180°C 2.5mm² 400V IP67

Aluminum PG 16 cable gland seals. The boxes have 4 x 2.5 mm² mantle terminals and a 2.5 mm² ground - contact. Possible to get the terminal block also as 5 or 6 x 2,5mm².

Cable gland seals with silicone sealing rings, cable Ø 10 mm. Silicone cover seal.

Continuous max. temperature 180°C and short term temperature 200°C.

The range covers most installation situations.

RAW MATERIAL

Recycled aluminum

SIZE

See picture below

NET WEIGHT

0,3 kg/pce – 0,4 kg/pce

PACKAGE

10 pcs/Box

270 x 120 x 250 (mm), ~3,6 kg

COUNTRY OF ORIGIN

Finland / Suomi

CERTIFICATION

CE certificated according to the standard EN60670-1:2005, EN 60670-22:2007

VOLTAGE

Max 400 V.

ENCLOSURE CLASS

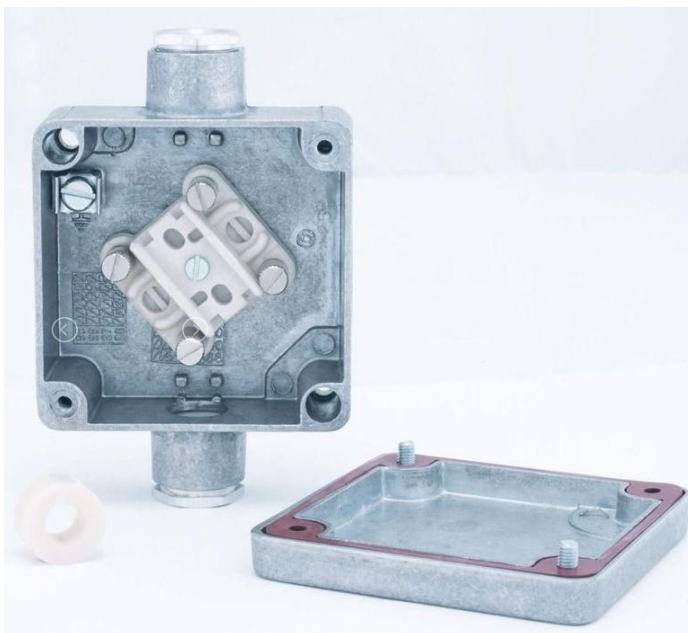
IP 67

CONNECTORS

Screw terminals

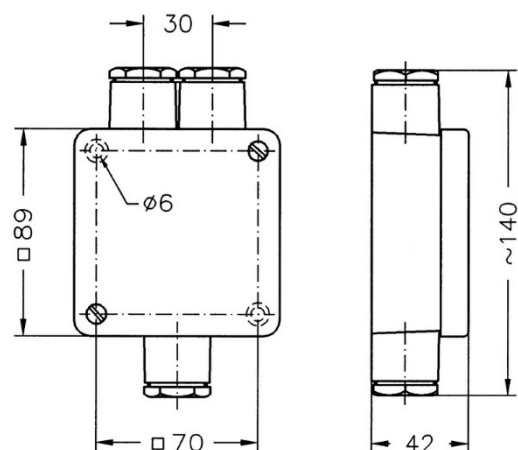
PENTRATIONS

We equip the terminal boxes with aluminum PG 16 cable gland seals.



3D CAD files available, e.g. STEP, IGS

		Model	Order no.
	0,4	311 220	16 239 22
	0,4	311 240	16 239 24
	0,4	311 250	16 239 25
	0,4	311 260	16 239 26
	0,4	311 300	16 239 30
	0,4	311 310	16 239 31



Selcast Oy

Kilantie 19 (BOX 36)

10300 KARJAA (10301 KARJAA)

FINLAND

+358 19 278 5800

www.selcast.fi selcast@selcast.fi