

## JUNCTION BOX 2.5mm<sup>2</sup> 400V IP67

Aluminium PG 16 cable gland seals. The boxes have 4 x 2.5 mm<sup>2</sup> mantle terminals and a 2.5 mm<sup>2</sup> earthing contact. The range covers most installation situations.

**RAW MATERIAL** Recycled aluminum  
**SIZE** See picture below  
**NET WEIGHT** 0,3 kg/pce – 0,4 kg/pce  
**PACKAGE** 10 pcs/Box  
 270 x 120 x 250 (mm), 2,9 kg-3,1 kg

**COUNTRY OF ORIGIN** Finland / Suomi  
**CE** Certificated according to the standard EN60670-1:2005, EN 60670-22:2007 (SGS Fimko, NCS/FI 24110)

**VOLTAGE** Max 400 V.  
**ENCLOSURE CLASS** IP 67  
**CONNECTORS** Screw terminals  
**PENTRATIONS** We equip the terminal boxes with aluminum PG 16 cable gland seals.

Models:

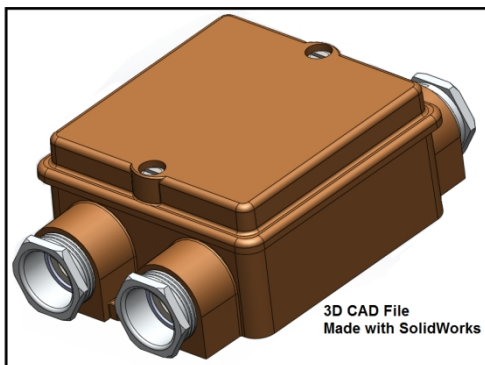
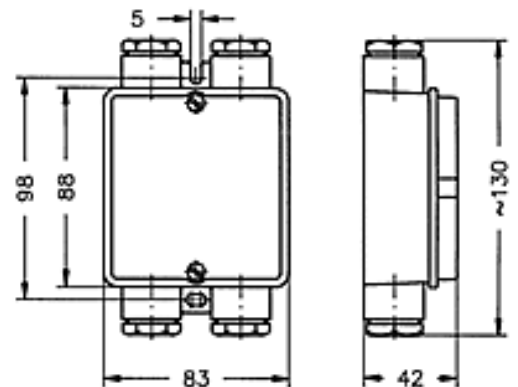
16 237 55





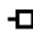

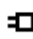



16 237 59



16 237 60



3D CAD files available, e.g. STEP, IGS

			kg	Model	Order no.
			0,3	331 050	<a href="#">16 237 55</a>
			0,3	331 090	<a href="#">16 237 59</a>
			0,3	331 100	<a href="#">16 237 60</a>
Brown			0,3	331 051	<a href="#">16 232 55</a>
Brown			0,3	331 091	<a href="#">16 232 59</a>
Brown			0,3	331 101	<a href="#">16 232 60</a>

