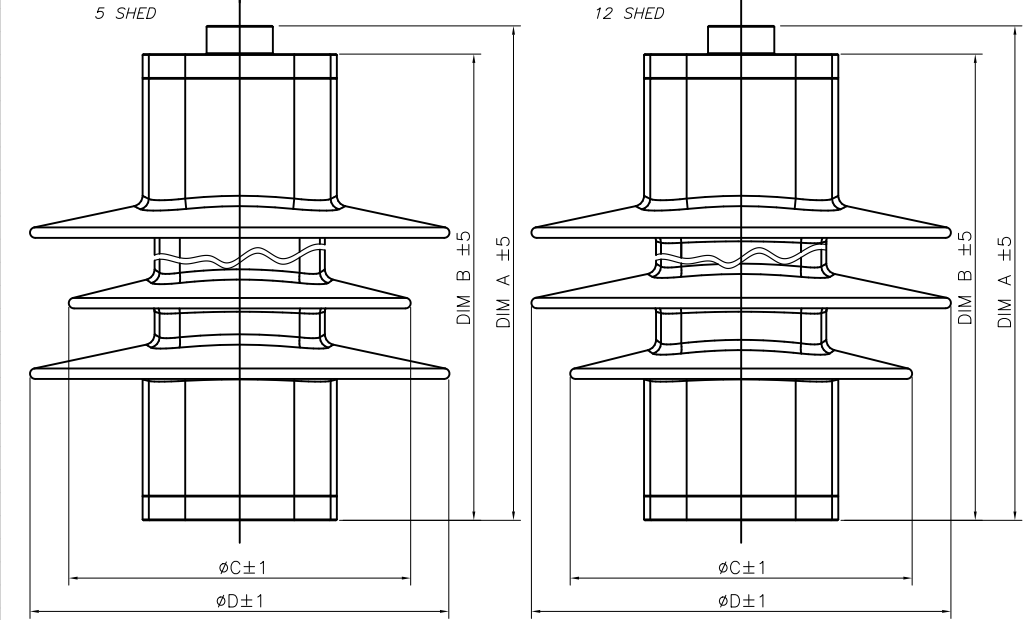
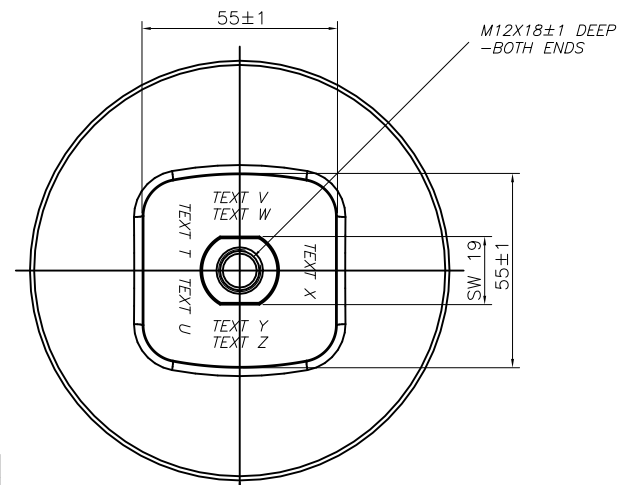


REVISIONS					
P	LTR	DESCRIPTION	DATE	DMN	APVD
B	ECO-18-008485		09MAY2018	JM	-

No SHEDS	CREEPAGE LENGTH	FLASHOVER DISTANCE
5	380	176
12	830	310

NOTE	
HOUSING PRINT	Raychem PolyGarde MO Surge Arrester Is 40kA
STD STUD LENGTH 47±2mm. OTHER LENGTHS AVAILABLE DEPENDING ON ACCESSORY SELECTION	

REFER TO TECHNICAL DATASHEETS FOR ALL OTHER PRODUCT DETAILS



PRODUCT	SHEDS	DIM A	DIM B	DIM C	DIM D	TEXT T	TEXT U	TEXT V	TEXT W	TEXT X	TEXT Y	TEXT Z
HDA-02MA-B3	5	183	175	97	119	LOT No	YEAR	Uc 2kV	Ur 4kV	I _n 10kA, DH	IEC 99-4	HDA-02MA-B3
HDA-03MA-B3	5	183	175	97	119	LOT No	YEAR	Uc 3kV	Ur 4kV	I _n 10kA, DH	IEC 99-4	HDA-03MA-B3
HDA-04MA-B3	5	183	175	97	119	LOT No	YEAR	Uc 4kV	Ur 5.5kV	I _n 10kA, DH	IEC 99-4	HDA-04MA-B3
HDA-05MA-B3	5	183	175	97	119	LOT No	YEAR	Uc 5kV	Ur 6.5kV	I _n 10kA, DH	IEC 99-4	HDA-05MA-B3
HDA-06MA-B3	5	183	175	97	119	LOT No	YEAR	Uc 6kV	Ur 8V	I _n 10kA, DH	IEC 99-4	HDA-06MA-B3
HDA-08MA-B3	5	183	175	97	119	LOT No	YEAR	Uc 8kV	Ur 10kV	I _n 10kA, DH	IEC 99-4	HDA-08MA-B3
HDA-09MA-B3	5	183	175	97	119	LOT No	YEAR	Uc 9.6kV	Ur 12V	I _n 10kA, DH	IEC 99-4	HDA-09MA-B3
HDA-10MA-B3	5	183	175	97	119	LOT No	YEAR	Uc 10.4kV	Ur 13kV	I _n 10kA, DH	IEC 99-4	HDA-10MA-B3
HDA-11MA-B3	5	183	175	97	119	LOT No	YEAR	Uc 11kV	Ur 14kV	I _n 10kA, DH	IEC 99-4	HDA-11MA-B3
HDA-12MA-B3	5	183	175	97	119	LOT No	YEAR	Uc 12kV	Ur 15kV	I _n 10kA, DH	IEC 99-4	HDA-12MA-B3
HDA-12MA-B3-252	5	183	175	97	119	LOT No	YEAR	Uc 12.8kV	Ur 16kV	I _n 10kA, DH	IEC 99-4	HDA-12MA-B3-252
HDA-15MA-B3	12	316	308	103	122	LOT No	YEAR	Uc 15kV	Ur 19kV	I _n 10kA, DH	IEC 99-4	HDA-15MA-B3
HDA-17MA-B3	12	316	308	103	122	LOT No	YEAR	Uc 17kV	Ur 21.5kV	I _n 10kA, DH	IEC 99-4	HDA-17MA-B3
HDA-18MA-B3	12	316	308	103	122	LOT No	YEAR	Uc 18kV	Ur 22.5kV	I _n 10kA, DH	IEC 99-4	HDA-18MA-B3
HDA-19MA-B3	12	316	308	103	122	LOT No	YEAR	Uc 19kV	Ur 24kV	I _n 10kA, DH	IEC 99-4	HDA-19MA-B3
HDA-19MA-B3-252	12	316	308	103	122	LOT No	YEAR	Uc 19.5kV	Ur 24.5kV	I _n 10kA, DH	IEC 99-4	HDA-19MA-B3-252
HDA-20MA-B3	12	316	308	103	122	LOT No	YEAR	Uc 20kV	Ur 25kV	I _n 10kA, DH	IEC 99-4	HDA-20MA-B3
HDA-21MA-B3	12	316	308	103	122	LOT No	YEAR	Uc 21.2kV	Ur 26.5kV	I _n 10kA, DH	IEC 99-4	HDA-21MA-B3
HDA-22MA-B3	12	316	308	103	122	LOT No	YEAR	Uc 22kV	Ur 27.5kV	I _n 10kA, DH	IEC 99-4	HDA-22MA-B3
HDA-24MA-B3	12	316	308	103	122	LOT No	YEAR	Uc 24kV	Ur 30kV	I _n 10kA, DH	IEC 99-4	HDA-24MA-B3
HDA-25MA-B3	12	316	308	103	122	LOT No	YEAR	Uc 25kV	Ur 31.5kV	I _n 10kA, DH	IEC 99-4	HDA-25MA-B3
HDA-27MA-B3	12	316	308	103	122	LOT No	YEAR	Uc 27kV	Ur 34kV	I _n 10kA, DH	IEC 99-4	HDA-27MA-B3
HDA-29MA-B3	12	316	308	103	122	LOT No	YEAR	Uc 29kV	Ur 36.5kV	I _n 10kA, DH	IEC 99-4	HDA-29MA-B3
HDA-30MA-B3	12	316	308	103	122	LOT No	YEAR	Uc 30kV	Ur 37.5kV	I _n 10kA, DH	IEC 99-4	HDA-30MA-B3
HDA-31MA-B3	12	316	308	103	122	LOT No	YEAR	Uc 31kV	Ur 39kV	I _n 10kA, DH	IEC 99-4	HDA-31MA-B3
HDA-02LA-B3	12	316	308	103	122	LOT No	YEAR	Uc 2kV	Ur 4kV	I _n 10kA, DH	IEC 99-4	HDA-02LA-B3
HDA-03LA-B3	12	316	308	103	122	LOT No	YEAR	Uc 3kV	Ur 4kV	I _n 10kA, DH	IEC 99-4	HDA-03LA-B3
HDA-04LA-B3	12	316	308	103	122	LOT No	YEAR	Uc 4kV	Ur 5.5kV	I _n 10kA, DH	IEC 99-4	HDA-04LA-B3
HDA-05LA-B3	12	316	308	103	122	LOT No	YEAR	Uc 5kV	Ur 6.5kV	I _n 10kA, DH	IEC 99-4	HDA-05LA-B3
HDA-06LA-B3	12	316	308	103	122	LOT No	YEAR	Uc 6kV	Ur 8V	I _n 10kA, DH	IEC 99-4	HDA-06LA-B3
HDA-08LA-B3	12	316	308	103	122	LOT No	YEAR	Uc 8kV	Ur 10kV	I _n 10kA, DH	IEC 99-4	HDA-08LA-B3
HDA-09LA-B3	12	316	308	103	122	LOT No	YEAR	Uc 9.6kV	Ur 12V	I _n 10kA, DH	IEC 99-4	HDA-09LA-B3
HDA-10LA-B3	12	316	308	103	122	LOT No	YEAR	Uc 10.4kV	Ur 13kV	I _n 10kA, DH	IEC 99-4	HDA-10LA-B3
HDA-11LA-B3	12	316	308	103	122	LOT No	YEAR	Uc 11kV	Ur 14kV	I _n 10kA, DH	IEC 99-4	HDA-11LA-B3
HDA-12LA-B3	12	316	308	103	122	LOT No	YEAR	Uc 12kV	Ur 15kV	I _n 10kA, DH	IEC 99-4	HDA-12LA-B3
HDA-12LA-B3-252	12	316	308	103	122	LOT No	YEAR	Uc 12.8kV	Ur 16kV	I _n 10kA, DH	IEC 99-4	HDA-12LA-B3

THIS DRAWING IS A CONTROLLED DOCUMENT.

DIMENSIONS: mm	0 PLC ± 1 1 PLC ± 0.1 2 PLC ± 0.01 3 PLC ± 0.001 4 PLC ± 0.0001	TOLEANCES UNLESS OTHERWISE SPECIFIED	DATE: 23/03/2018	NAME: J. MULLIGAN
MATERIAL: ALL FITTINGS M12, A2 SS	FINISH: -	APVD: P. FITZGERALD	DATE: 23/03/2018	NAME: R. ULBRICH
PRODUCT SPEC: SEE DATASHEET		APPLICATION SPEC: -		
SIZE: A2	CAGE CODE: -	DRAWING NO: MV-SURGE ARRESTER HDA-MA-B3 RANGE HDA-XXMA-B3	RESTRICTED TO: -	SCALE: 1:1
CUSTOMER DRAWING		WEIGHT: 0	SHEET: 1 of 1	REV: B

TE Connectivity Ltd.