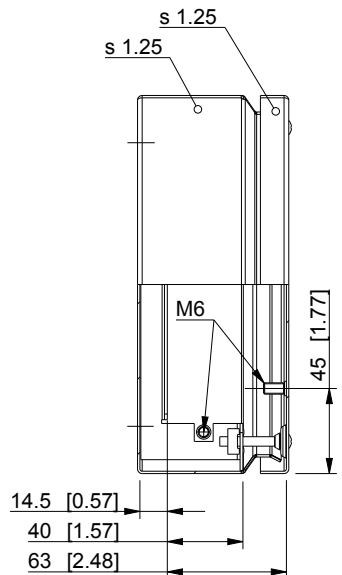
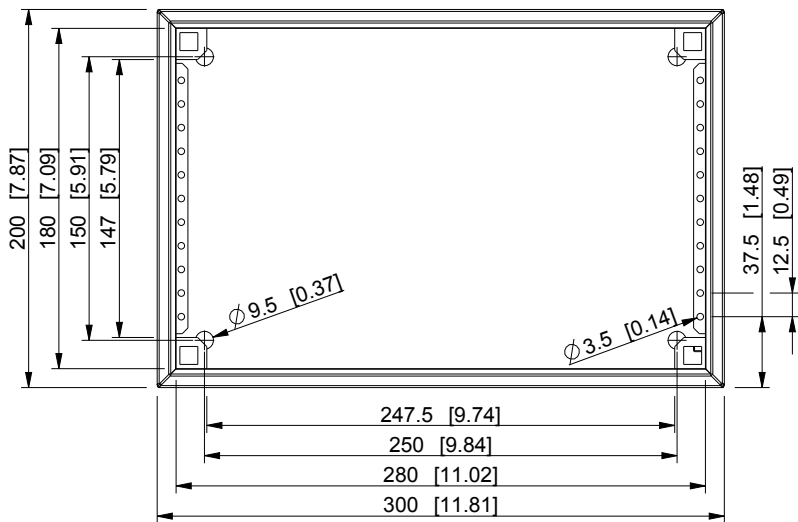
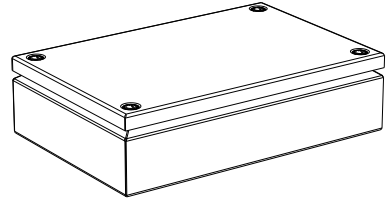
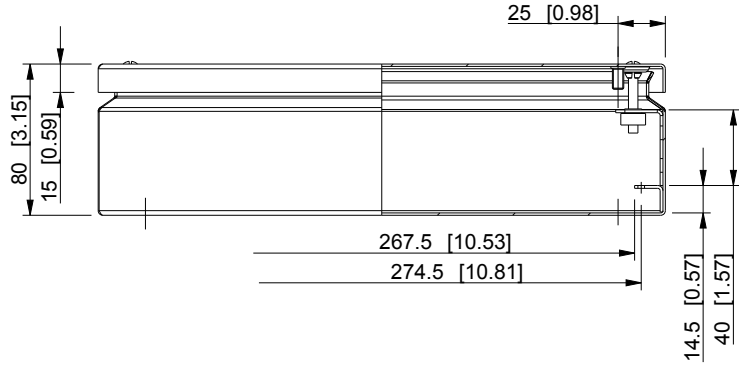


| ID | Description | Date | By | Appr. |
|----|-------------|------|----|-------|
| A  |             |      |    |       |



Dimensions in mm [inches]

|   |                 |
|---|-----------------|
| Material: Mild steel, polyester painted | Color: RAL 7035 |
|---|-----------------|

|           |          |                   |           |
|-----------|----------|-------------------|-----------|
| Supplier: | Tool No: | Weight [kg]: 2.28 | Volume: - |
|-----------|----------|-------------------|-----------|

|  |       |         |                    |           |                   |
|--|-------|---------|--------------------|-----------|-------------------|
| model FFUP302008A PART<br>drawing FFUP DRAWING |       |         | <b>FFUP302008A</b> | Replaces: |                   |
|  |       |         |                    | Replaced: |                   |
|  | Scale | Date    |                    | 26.07.16  | Drw No: A         |
|  | 1:4   | By      |                    | PLe       | Ref: Cubo F       |
|  | -     | Checked |                    |           | Code: FFUP302008A |
| -  | Ctrl  |         | Sheet No:          |           |                   |