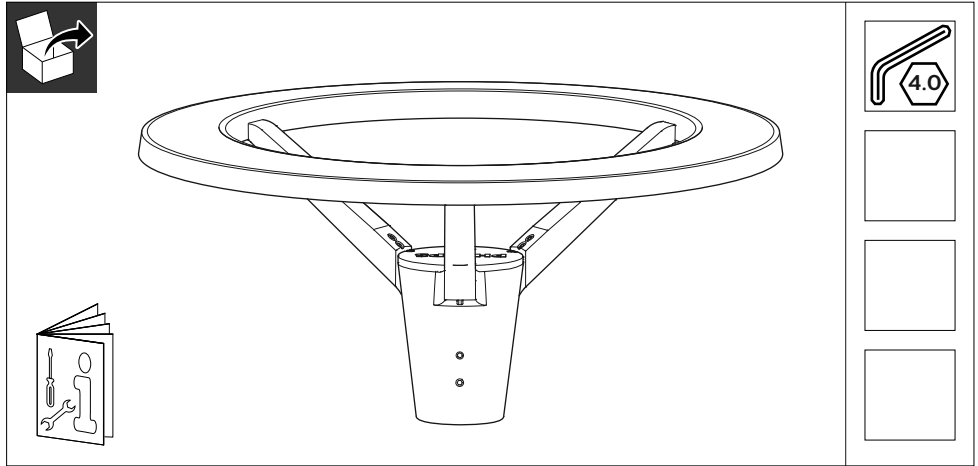


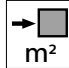



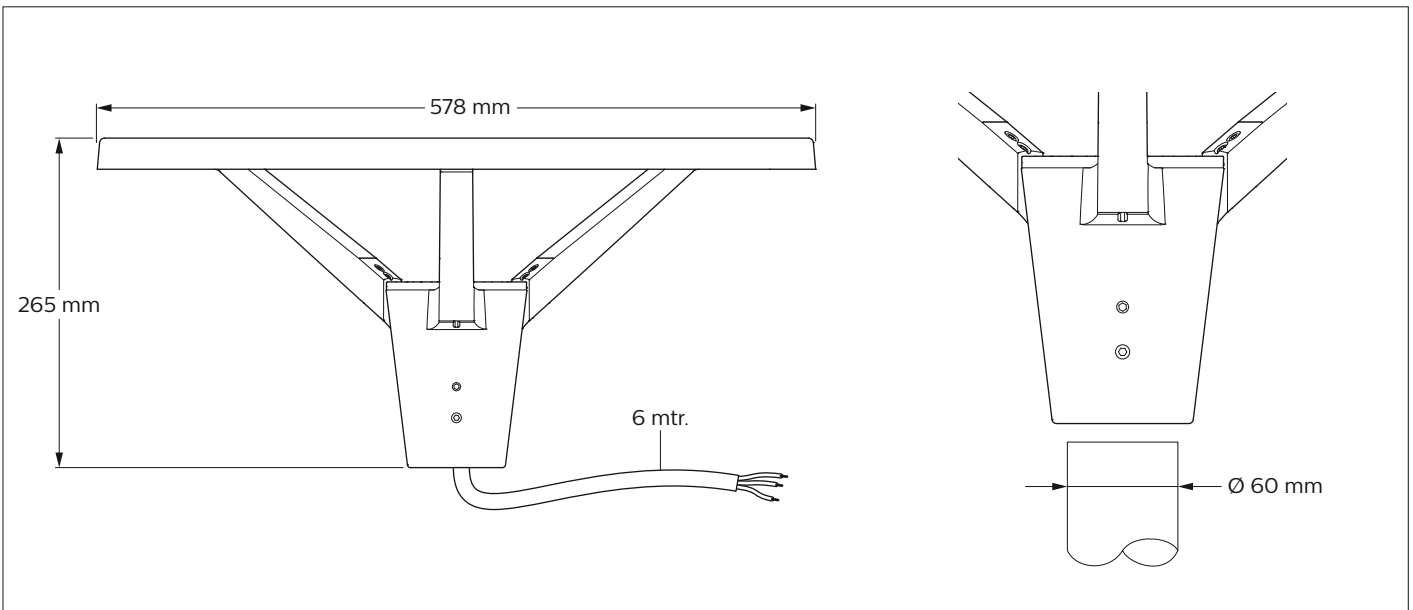
PHILIPS

StreetSaver gen2

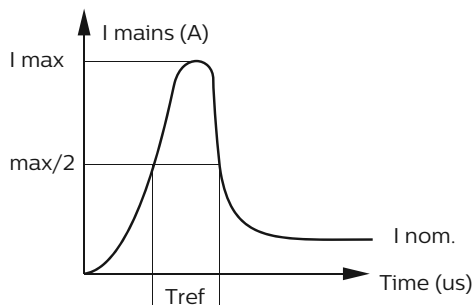
BPP008



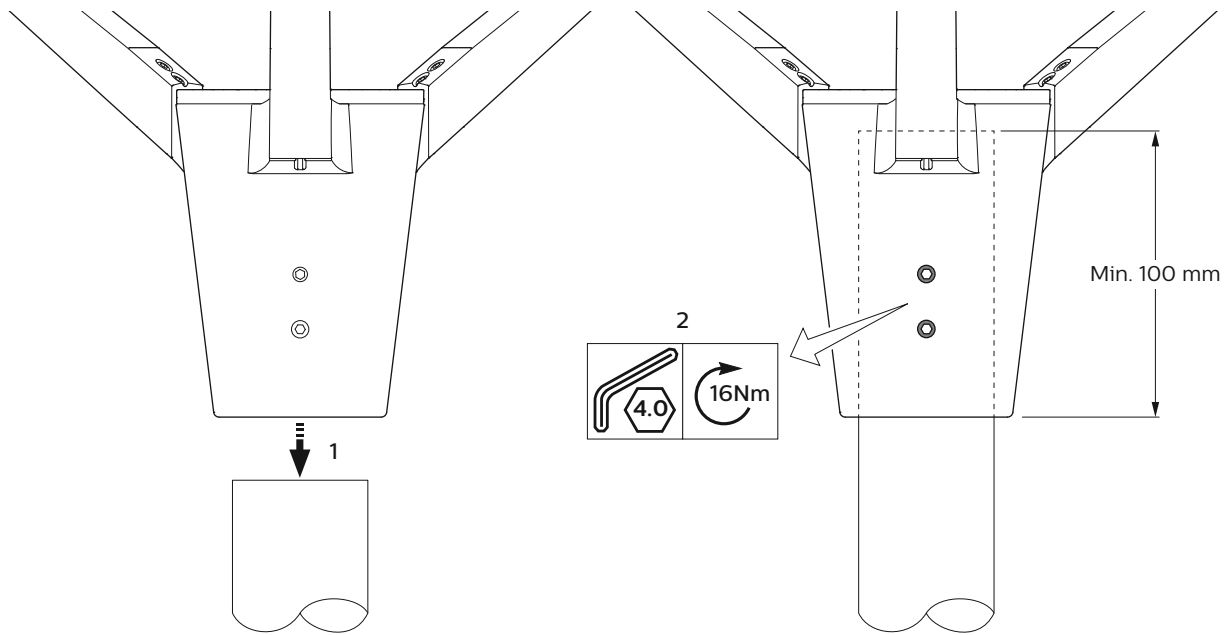
	P (W)		 m ²	 m ²	 kg
BPP008 LED-MP 830 PSU I GR 60P	27	2-4 m	0.115 (Top)	0.115 (Side)	4.5
BPP008 LED-MP 740 PSU I GR 60P					



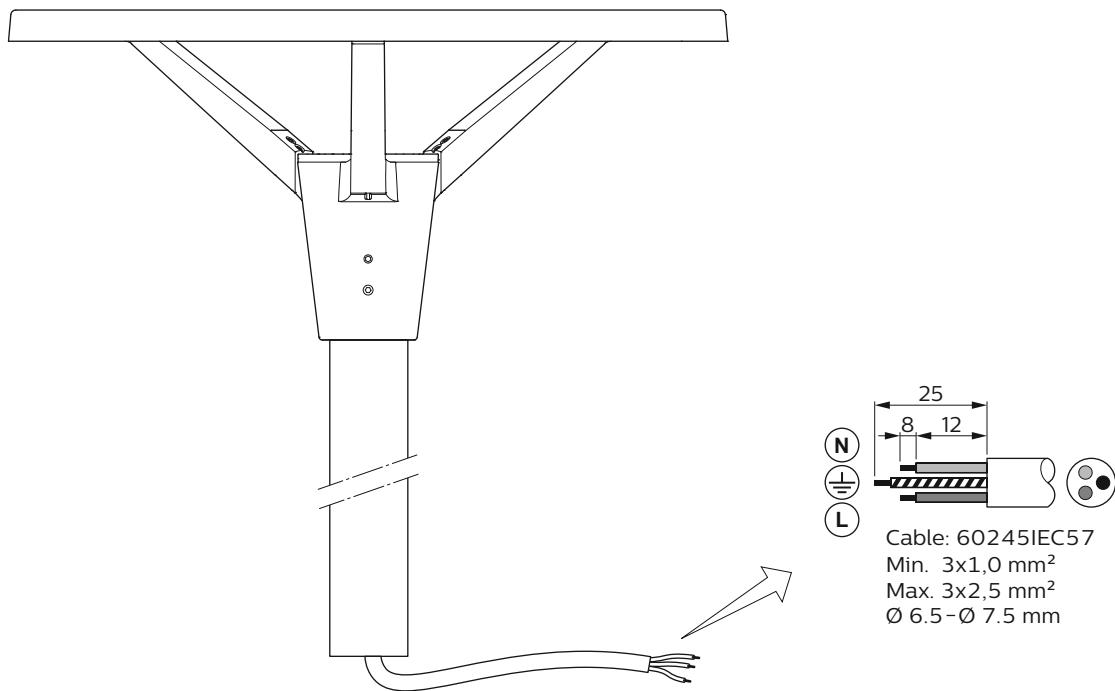
Inrush current



Electrical characteristics	
I _{max} (A)	2.56
T _{ref} (μs)	44
MCB	Luminaires Max.
B-10 A	15
B-16 A	20
C-10 A	15
C-16 A	25



1



2

- The luminaire shall be installed by a qualified electrician and wired in accordance with the latest IEE electrical regulations or the national requirements.
- For non-user replaceable light sources: The light source contained in this luminaire shall only be replaced by manufacturer or his service agent or a similar qualified person.
- The luminaire is complied to IEC 60598-1 ed. 8 or GB 7000.1-2007.
- Luminaire connection is Y type: If the external flexible cable or cord of this luminaire is damaged, it shall be exclusively replaced by the manufacturer or his service agent or a similar qualified person in order to avoid a hazard.
- The wire connection method is determined by local electrical codes and regulations, typically either wire nuts or screws terminal blocks.
- Do not switch on before complete installation.
- It is recommended to use a supply box with a minimum IP65, and 3P terminal, the terminal is rated voltage is 250V at least.