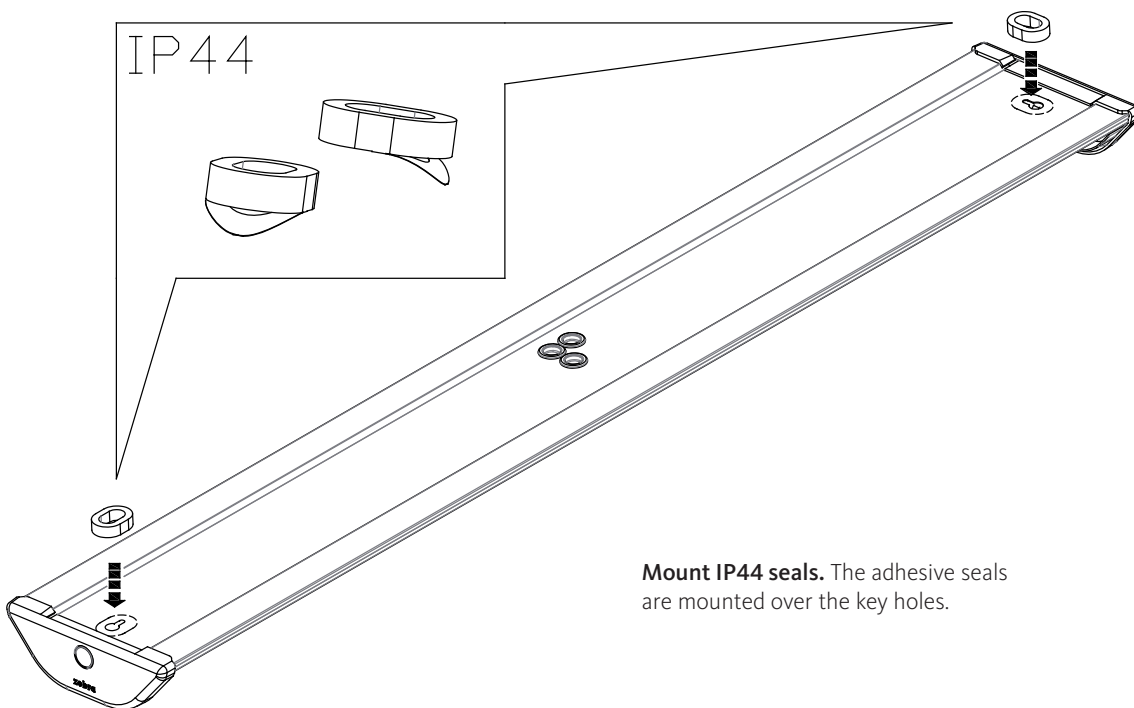
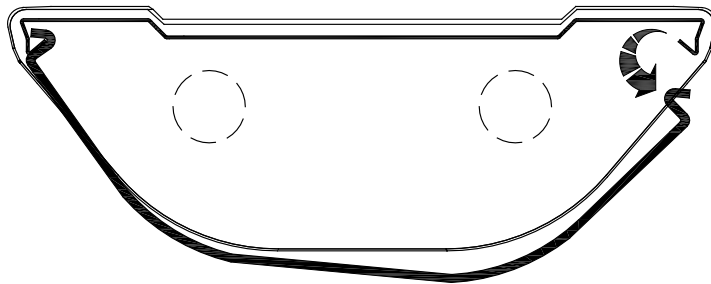


# Z44

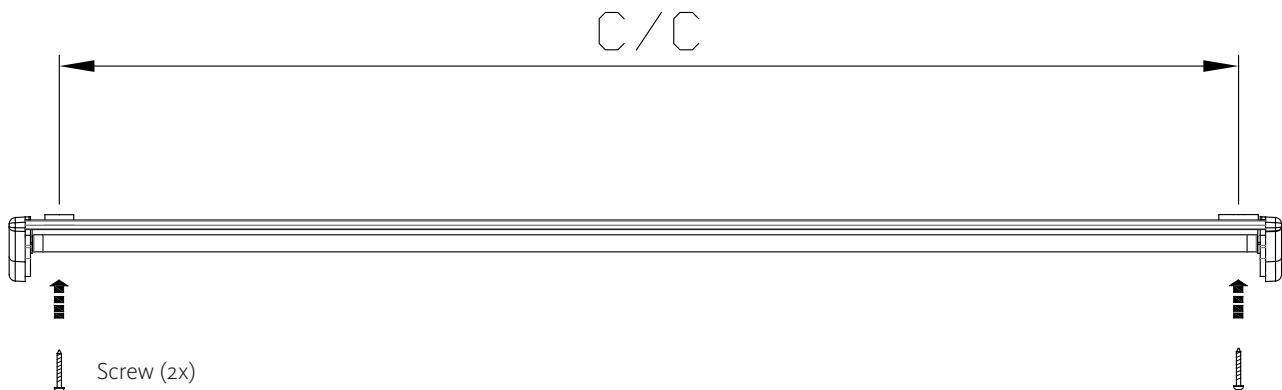
Installation manual

Disassemble the cup.



**Mount IP44 seals.** The adhesive seals are mounted over the key holes.

**Mounting.** Attach the luminaire with screw for the current surface. C/C according to table below.



DIMENSIONS	TYPE	C-C (mm)
	Z44, T5, 2 x14 W	500
	Z44, T5, 2 x14 W with sensor	670
	Z44, T5, 1 x28/2 x28 W	1100
Z44, T5, 1 x35/2 x35/1 x49/2 x49 W	1400	

DIMENSIONS	TYPE	C-C (mm)
	Z44, LED, 1x8/2x8 W	500
	Z44, LED, 1x17/2x17 W	1100
	Z44, LED, 1x23/2x23 W	1400

**Mounting the cup.**

