



## I-VALO XENRE INSTALLATION INSTRUCTIONS

1a

1b

0,18 m<sup>2</sup>

max.  
8,7 kg

M6x16 DIN 7380 A4  
Max 5,9Nm

4x

2

1~

GNYE	⊕
BU	N
BN	L

3a

1~ + DALI

GNYE	⊕
BU	N
BN	L
BK	D1
GY	D2

3b

1~ + DALI

⊕	PE
N	N
1	L
2	D1
3	D2

PHENIX CONTACT

QPD system

3c

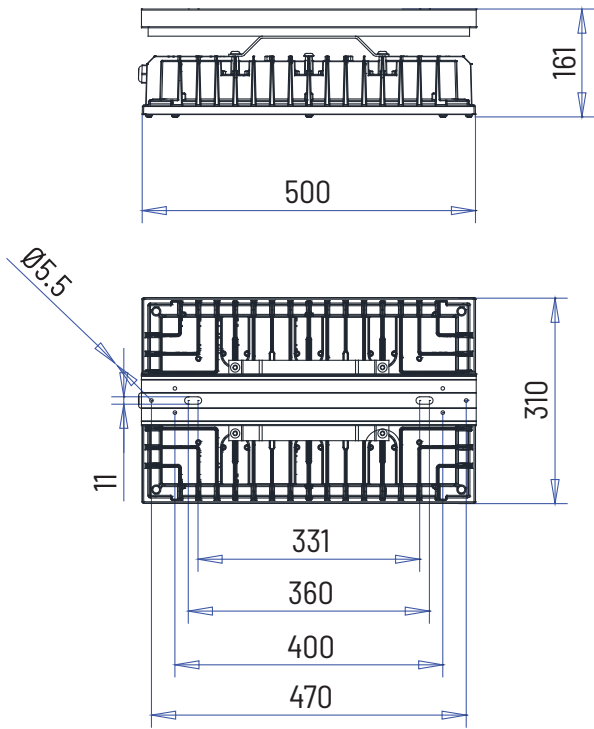
4

✗

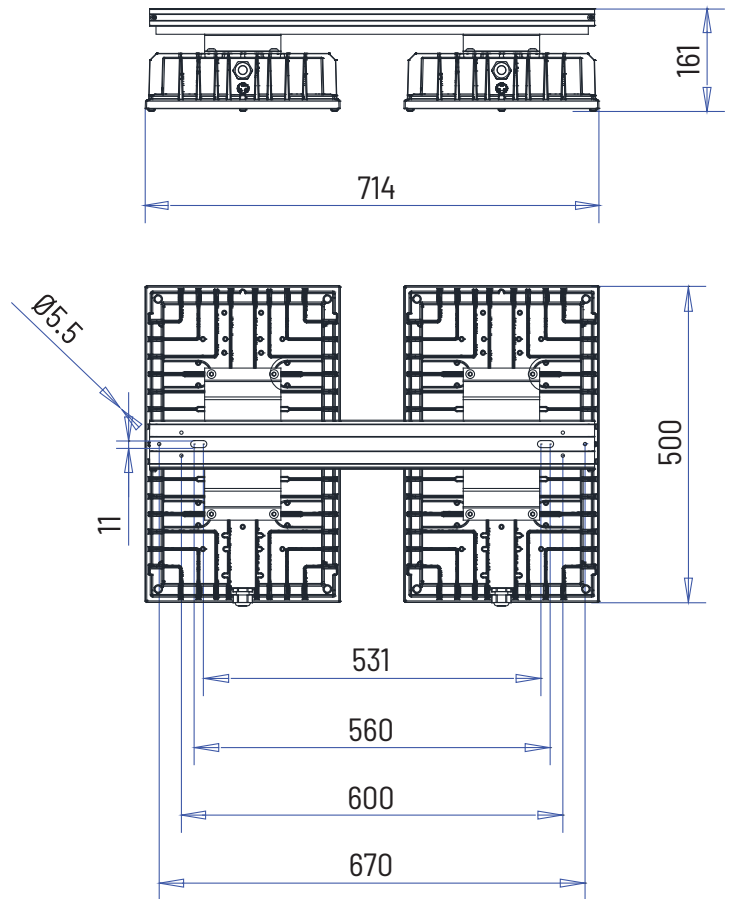
✓

230V

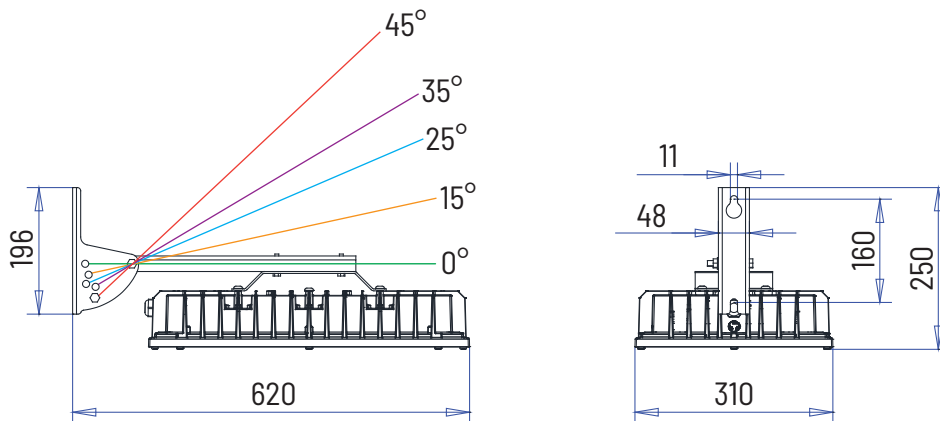
XENRE + X100



XENRE + X220



XENRE + X110



XENRE + X122

