

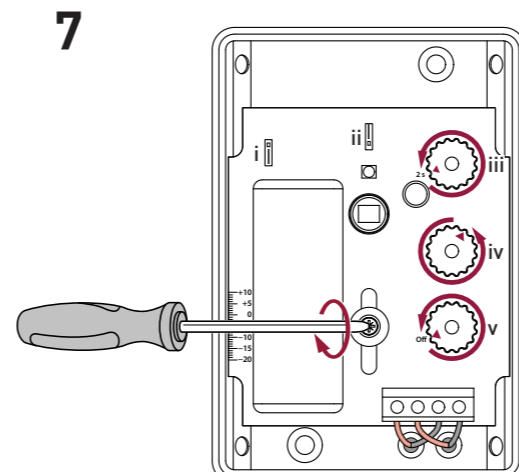
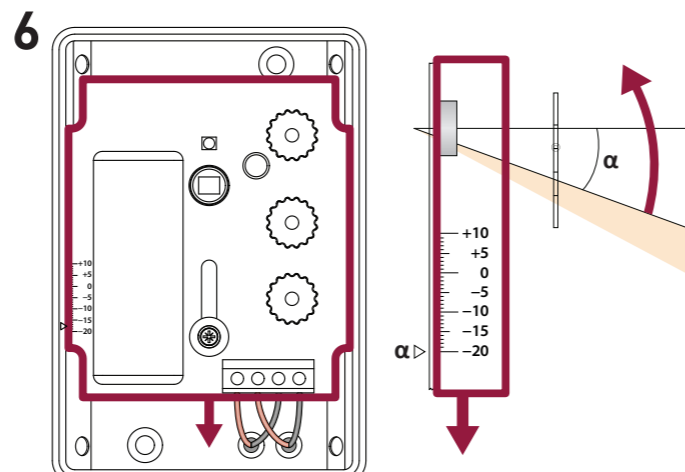
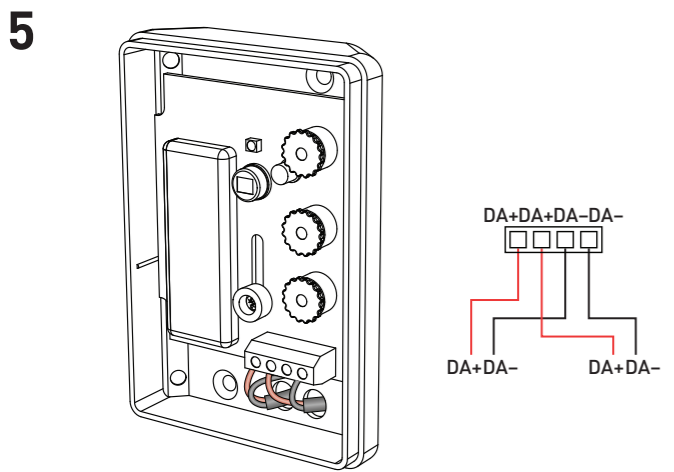
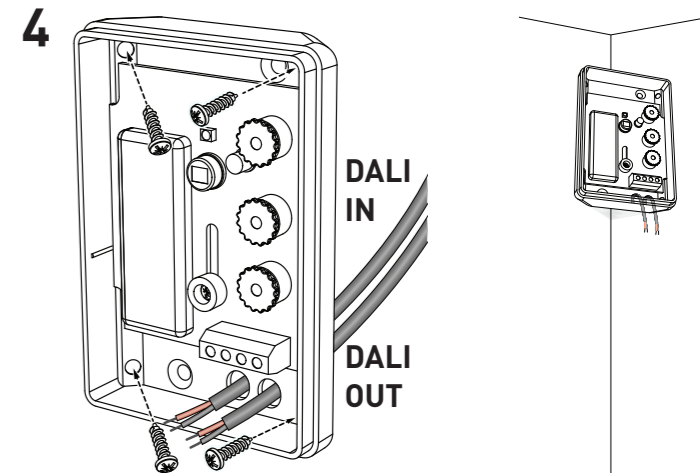
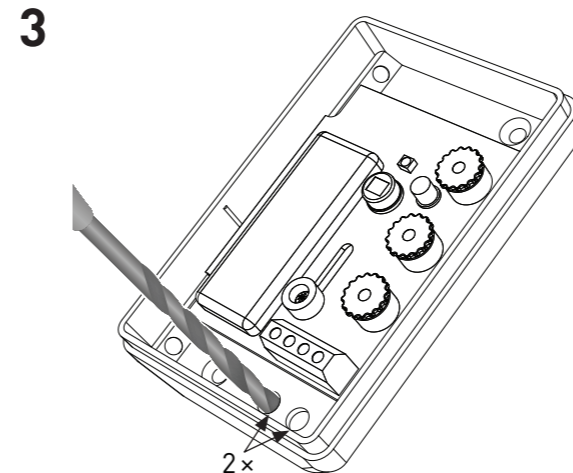
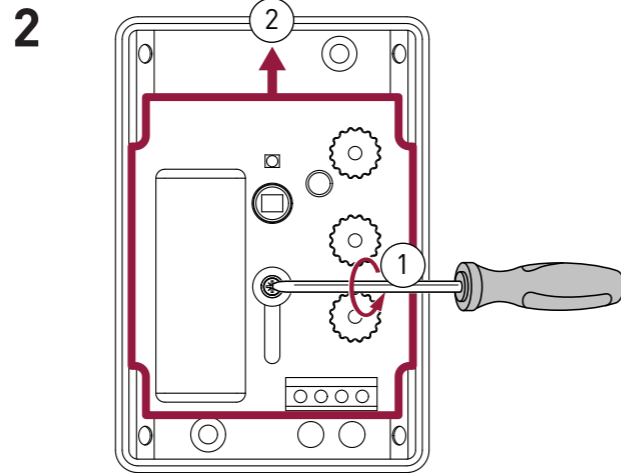
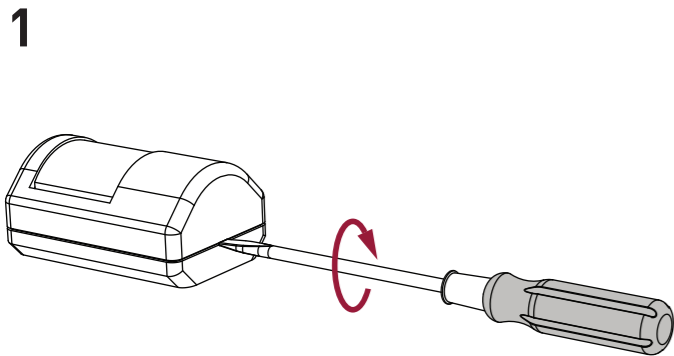
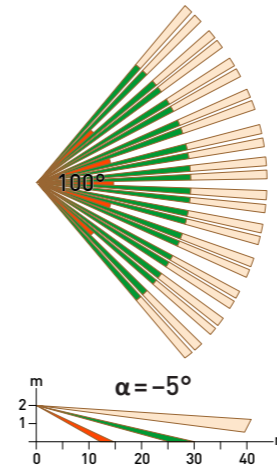


Installation Guide

- FI** Seinäaseteinen PIR-tunnistin (341) Asennusohje
- SV** PIR-sensor för korridor (341) Monteringsanvisning
- IT** Sensore PIR per corridoio (341) Guida all'installazione
- DE** PIR-Gang-Bewegungsmelder (341) Installationsanweisung
- FR** Capteur PIR pour couloir (341) Guide d'installation

**Helvar Ltd**  
 Hawley Mill  
 Hawley Road  
 DARTFORD  
 DA2 7SY  
 UNITED KINGDOM  
[www.helvar.com](http://www.helvar.com)

**Helvar 341**  
**Corridor PIR Sensor**  
 Doc: 7860388, issue 1  
 Date: 2018-05-16



- EN**
- i. Occupancy: Up = high activity; down = low activity.
  - ii. Indicator LED link position: Up = ON; down = OFF.
  - iii. Not used: Set to '2 s'.
  - iv. PIR sensitivity: Normally set to 1 o'clock.
  - v. Not used: Set to 'Off'.

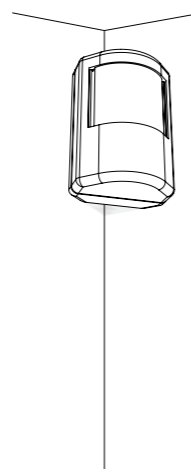
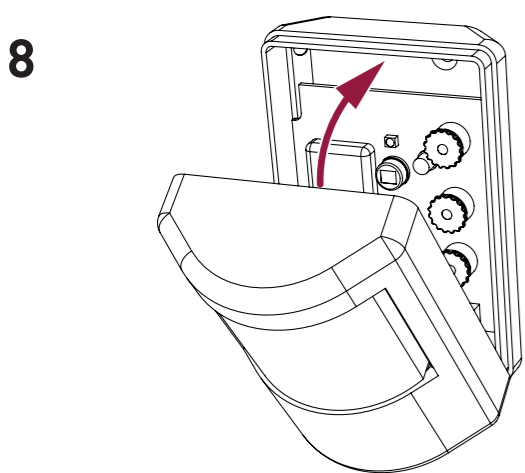
- FI**
- i. Käyttöaste: Ylhäällä = korkea aktiviteetti; alhaalla = vähäinen aktiviteetti.
  - ii. LED merkkivalo, kytkimen asento: Ylhäällä = toiminnassa; alhaalla = pois päältä.
  - iii. Ei käytössä: Asetettu "2 s".
  - iv. PIR herkkyyys: Normaalisti asetetaan kello 1 kohdalle.
  - v. Ei käytössä: Asetettu "Off".

- SV**
- i. Frånvaro: Upp = hög aktivitet; ner = låg aktivitet.
  - ii. Indikator: Upp = PÅ; ner = AV.
  - iii. Används ej: Inställd till "2 s".
  - iv. PIR-känslighet: Standardinställning är klockan 1.
  - v. Används ej: Inställd till "Off" (Av).

- IT**
- i. Occupazione: Su = alta attività; giù = bassa attività.
  - ii. Indicatore a LED: su = ON; giù = OFF.
  - iii. Non utilizzato: Impostare su "2 s".
  - iv. Sensibilità del PIR: Normalmente impostata alle sei.
  - v. Non utilizzato: Impostare su "Off".

- DE**
- i. Raumnutzung: Oben = hohe Aktivität; unten = niedrige Aktivität.
  - ii. LED-Anzeigeleuchte: Oben = EIN; unten = AUS.
  - iii. Nicht in Gebrauch: Stellen Sie den Wert auf „2 s“.
  - iv. PIR-Empfindlichkeit: Normalerweise auf 1 Uhr eingestellt.
  - v. Nicht in Gebrauch: Stellen Sie den Wert auf „Off“ (Aus).

- FR**
- i. Occupation : Vers le haut = haute activité ; vers le bas = faible activité.
  - ii. Indicateur LED : Vers le haut = marche (ON) ; vers le bas = arrêt (OFF).
  - iii. Inutilisé : Réglez sur « 2 s ».
  - iv. Sensibilité PIR : Normalement réglez à 1 heure.
  - v. Inutilisé : Réglez sur « Off » (Arrêt).



## EN Technical Data

<b>Connections</b>	
DALI:	4-way connector block
Wire section:	0.5 mm² – 1.5 mm² solid or stranded
Cable rating:	All cables must be mains rated.
<b>Power</b>	
DALI supply input:	13 V – 22.5 V
DALI consumption:	15 mA
<b>Sensor</b>	
Presence detector:	Passive infrared (PIR)
<b>Mechanical data</b>	
Max. recommended mounting height:	2.5 m
Presence detection coverage area:	1470 m² @ 2 m mounting height
Dimensions:	70 mm × 102 mm × 50 mm
Vertical adjustment:	−20° to +10°
Max. reach:	41 m
Material (casing):	UL94V-HB ABS

<div><span><span></span></span></div>	<div><span><span></span></span></div>
<div><span><span></span></span></div>	<div><span><span></span></span></div>
<div><span><span></span></span></div>	<div><span><span></span></span></div>
<div><span><span></span></span></div>	<div><span><span></span></span></div>
<div><span><span></span></span></div>	<div><span><span></span></span></div>

## SV Tekniska Data

<b>Anslutningar</b>	
DALI:	4-polig anslutningsplint
Kabelstorlek:	0,5 mm² – 1,5 mm² en- eller flertrådig
Kabelspecifikation:	Alla kablar måste vara rätt dimensionerade och klassificerade.
<b>Drivspänning</b>	
DALI-spänning:	13 V – 22,5 V
DALI-strömförbrukning:	15 mA
<b>Sensor</b>	
Närvarosensor:	Passiv infraröd sensor (PIR)
<b>Mekaniska data</b>	
Maximal rekommenderad monteringshöjd:	2,5 m
Detektionsområde:	1470 m² @ 2 m monteringshöjd
Mått:	70 mm × 102 mm × 50 mm
Vertikal justering:	−20° till +10°
Maximal räckvidd:	41 m
Material (hölje):	UL94V-HB ABS
Ytbehandling / Färg:	Halvmatt / Vit RAL 9003

<div><span><span></span></span></div>	<div><span><span></span></span></div>
<div><span><span></span></span></div>	<div><span><span></span></span></div>
<div><span><span></span></span></div>	<div><span><span></span></span></div>
<div><span><span></span></span></div>	<div><span><span></span></span></div>
<div><span><span></span></span></div>	<div><span><span></span></span></div>

## DE Technische Daten

<b>Anschlüsse</b>	
DALI:	Vierfach-Klemme
Leitungsquerschnitt:	0,5 mm² – 1,5 mm² massiv oder feindrähtig
Leitungsspezifikation:	Alle Leitungen müssen netzspannungsfest ausgelegt sein.
<b>Stromversorgung</b>	
DALI-Versorgungsspannung:	13 V – 22,5 V
DALI-Verbrauch:	15 mA
<b>Sensor</b>	
Bewegungssensor:	Passiv-Infrarot Bewegungssensor (PIR)
<b>Mechanische Daten</b>	
Maximal empfohlene Montagehöhe:	2,5 m
Erfassungsbereich	
Anwesenheitserkennung:	1470 m² bei 2 m Montagehöhe
Abmessungen:	70 mm × 102 mm × 50 mm
Vertikale Einstellung:	−20° bis +10°
Maximale Reichweite:	41 m

<b>Finish / Colour:</b>	Semi-matt / White RAL 9003
<b>Weight:</b>	93 g
<b>IP code</b>	IP42
<b>Operating and storage conditions</b>	
<b>Ambient temperature:</b>	0 <span> </span> °C to +50 <span> </span> °C
<b>Relative humidity:</b>	Max. 90 <span> </span> %, noncondensing
<b>Storage temperature:</b>	−10 <span> </span> °C to +70 <span> </span> °C
<b>Conformity and standards</b>	
<b>EMC emission:</b>	EN 55015
<b>EMC immunity:</b>	EN 61547
<b>Safety:</b>	EN 60950
<b>Environment:</b>	Complies with WEEE and RoHS directives.
<b>Software compatibility</b>	
<b>Designer:</b>	4.1 or later
<b>Toolbox:</b>	2.2.12 or later

<div><span><span></span></span></div>	<div><span><span></span></span></div>
<div><span><span></span></span></div>	<div><span><span></span></span></div>
<div><span><span></span></span></div>	<div><span><span></span></span></div>
<div><span><span></span></span></div>	<div><span><span></span></span></div>
<div><span><span></span></span></div>	<div><span><span></span></span></div>
<div><span><span></span></span></div>	<div><span><span></span></span></div>

<b>Vikt:</b>	93 g
<b>IP-klass:</b>	IP42
<b>Drift- och lagringsförhållanden</b>	
<b>Omgivningstemperatur:</b>	0 <span> </span> °C till +50 <span> </span> °C
<b>Relativ luftfuktighet:</b>	Max. 90 <span> </span> %, icke-kondenserande
<b>Lagringstemperatur:</b>	−10 <span> </span> °C till +70 <span> </span> °C
<b>Överensstämmelse och standarder</b>	
<b>EMC-emission:</b>	EN 55015
<b>EMC-störimmunitet:</b>	EN 61547
<b>Säkerhet:</b>	EN 60950
<b>Miljö:</b>	Uppfyller WEE- och RoHS-direktiven.
<b>Mjukvarukompatibilitet</b>	
<b>Designer:</b>	4.1 eller senare
<b>Toolbox:</b>	2.2.12 eller senare

<div><span><span></span></span></div>	<div><span><span></span></span></div>
<div><span><span></span></span></div>	<div><span><span></span></span></div>
<div><span><span></span></span></div>	<div><span><span></span></span></div>
<div><span><span></span></span></div>	<div><span><span></span></span></div>
<div><span><span></span></span></div>	<div><span><span></span></span></div>
<div><span><span></span></span></div>	<div><span><span></span></span></div>

<div><span><span></span></span></div>	<div><span><span></span></span></div>
<div><span><span></span></span></div>	<div><span><span></span></span></div>
<div><span><span></span></span></div>	<div><span><span></span></span></div>
<div><span><span></span></span></div>	<div><span><span></span></span></div>
<div><span><span></span></span></div>	<div><span><span></span></span></div>

<b>Gehäusematerial:</b>	UL94V-HB ABS
<b>Ausführung / Farbe:</b>	Halbmatt / weiß, ähnlich RAL 9003
<b>Gewicht:</b>	93 g
<b>IP-Klasse:</b>	IP42
<b>Betriebs- und Lagerbedingungen</b>	
<b>Umgebungstemperatur:</b>	0 <span> </span> °C bis +50 <span> </span> °C
<b>Relative Luftfeuchtigkeit:</b>	Max. 90 <span> </span> %, nichtkondensierend
<b>Lagertemperatur:</b>	−10 <span> </span> °C bis +70 <span> </span> °C
<b>Normen und Standards</b>	
<b>EMV-Störaussendung:</b>	EN 55015
<b>EMV-Störfestigkeit:</b>	EN 61547
<b>Sicherheit:</b>	EN 60950
<b>Umwelt:</b>	In Übereinstimmung mit WEEE und RoHS Richtlinien.

<b>Softwarekompatibilität</b>	
<b>Designer:</b>	4.1 oder höher
<b>Toolbox:</b>	2.2.12 oder höher

## FI Tekniset tiedot

<b>Liitännät</b>	
DALI:	4-napainen liitin
Johdinten koko:	0,5 mm² – 1,5 mm² jäykkä tai monisäikeinen
Kaapeliluokitus:	Kaapeleiden tulee soveltua verkkosähkölle.
<b>Teho</b>	
DALI-syöttö:	13 V – 22,5 V
DALI-virrankulutus:	15 mA
<b>Sensori</b>	
Läsäoiloilmaisin:	Passiivinen Infrapuna läsnäoloilmaisin (PIR)
<b>Mekaaniset tiedot</b>	
Suosittelava maksimi asennuskorkeus:	2,5 m
Havaintoalue:	1470 m² @ 2 m asennuskorkeus
Mitat:	70 mm × 102 mm × 50 mm
Pystysuunnan säätö:	−20° .. +10°
<b>Maksimi kantama:</b>	41 m
<b>Materiaali (kotelon):</b>	UL94V-HB ABS
<b>Pintakäsittely / Väri:</b>	Puolihimmeä / Valkoinen RAL 9003

<div><span><span></span></span></div>	<div><span><span></span></span></div>
<div><span><span></span></span></div>	<div><span><span></span></span></div>
<div><span><span></span></span></div>	<div><span><span></span></span></div>
<div><span><span></span></span></div>	<div><span><span></span></span></div>
<div><span><span></span></span></div>	<div><span><span></span></span></div>

## IT Dati tecnici

<b>Collegamenti</b>	
DALI:	Connettore a quattro vie
Sezione del cavo:	0,5 mm² – 1,5 mm² rigido o flessibile
Grado del cavo:	Tutti i cavi devono avere isolamento per tensione di rete.

<b>Alimentazione</b>	
Ingresso di alimentazione	
DALI:	13 V – 22,5 V
Assorbimento DALI:	15 mA
<b>Sensore</b>	
Sensore di presenza:	Sensore a infrarossi passivo (PIR)
<b>Dati meccanici</b>	
Altezza di montaggio massima consigliata:	2,5 m
Zona di copertura del riconoscimento di presenza:	1470 m² per altezza di montaggio 2 m
Dimensioni:	70 mm × 102 mm × 50 mm
Regolazione verticale:	−20° a +10°

<div><span><span></span></span></div>	<div><span><span></span></span></div>
<div><span><span></span></span></div>	<div><span><span></span></span></div>
<div><span><span></span></span></div>	<div><span><span></span></span></div>
<div><span><span></span></span></div>	<div><span><span></span></span></div>
<div><span><span></span></span></div>	<div><span><span></span></span></div>

<div><span><span></span></span></div>	<div><span><span></span></span></div>
<div><span><span></span></span></div>	<div><span><span></span></span></div>
<div><span><span></span></span></div>	<div><span><span></span></span></div>
<div><span><span></span></span></div>	<div><span><span></span></span></div>
<div><span><span></span></span></div>	<div><span><span></span></span></div>

<b>Connexions</b>	
DALI:	Connecteur 4 canaux
Section du câble <span> </span> :	0,5 mm² – 1,5 mm² rigide ou souple
Degré du câble <span> </span> :	Tous les câbles doivent être prévus pour 230 V.

<b>Puissance</b>	
Entrée d’alimentation DALI:	13 V – 22,5 V
Consommation DALI:	15 mA
<b>Capteur</b>	
Détecteur de présence <span> </span> :	Détecteur de présence infrarouge passif (PIR)

<b>Caractéristiques mécaniques</b>	
Hauteur de montage maximum recommandée <span> </span> :	2,5 m
Zone de couverture de la détection de présence <span> </span> :	1470 m² pour une hauteur de montage de 2,5 m
Dimensions <span> </span> :	70 mm × 102 mm × 50 mm
Réglage vertical <span> </span> :	−20° à +10°
Portée maximale <span> </span> :	41 m

<b>Paino:</b>	93 g
<b>IP-luokka:</b>	IP42
<b>Käyttö- ja säilytysolosuhteet</b>	
<b>Ympäristön lämpötila:</b>	0 <span> </span> °C .. +50 <span> </span> °C
<b>Suhteellinen kosteus:</b>	Maks. 90 <span> </span> %, ei tiivistymistä
<b>Säilytyslämpötila:</b>	−10 <span> </span> °C .. +70 <span> </span> °C
<b>Luokitukset ja standardit</b>	
<b>EMC Säteily:</b>	EN 55015
<b>EMC häiriönsieto:</b>	EN 61547
<b>Sähköturvallisuus:</b>	EN 60950
<b>Ympäristösäädökset:</b>	Täyttää WEEE ja RoHS säädökset.
<b>Yhteensopivat ohjelmistot</b>	
<b>Designer:</b>	4.1 tai uudemmat
<b>Toolbox:</b>	2.2.12 tai uudemmat

<div><span><span></span></span></div>	<div><span><span></span></span></div>
<div><span><span></span></span></div>	<div><span><span></span></span></div>
<div><span><span></span></span></div>	<div><span><span></span></span></div>
<div><span><span></span></span></div>	<div><span><span></span></span></div>
<div><span><span></span></span></div>	<div><span><span></span></span></div>
<div><span><span></span></span></div>	<div><span><span></span></span></div>

<b>Portata massima:</b>	41 m
<b>Involucro:</b>	UL94V-HB ABS
<b>Finitura / Colore:</b>	Semiopaco / Bianco RAL 9003
<b>Peso:</b>	93 g
<b>Grado IP:</b>	IP42
<b>Condizioni operative e di immagazzinamento</b>	
<b>Temperatura ambiente:</b>	0 <span> </span> °C a +50 <span> </span> °C
<b>Umidità relativa:</b>	Max. 90 <span> </span> %, senza condensa
<b>Temperatura di immagazzinamento:</b>	−10 <span> </span> °C a +70 <span> </span> °C
<b>Conformità e standard</b>	
<b>Emissioni EMC:</b>	EN 55015
<b>Immunità EMC:</b>	EN 61547
<b>Sicurezza:</b>	EN 60950
<b>Ambientali:</b>	Soddisfa le direttive WEEE e RoHS.
<b>Compatibilità software</b>	
<b>Designer:</b>	4.1 o superiore
<b>Toolbox:</b>	2.2.12 o superiore

<div><span><span></span></span></div>	<div><span><span></span></span></div>
<div><span><span></span></span></div>	<div><span><span></span></span></div>
<div><span><span></span></span></div>	<div><span><span></span></span></div>
<div><span><span></span></span></div>	<div><span><span></span></span></div>
<div><span><span></span></span></div>	<div><span><span></span></span></div>

<div><span><span></span></span></div>	<div><span><span></span></span></div>
<div><span><span></span></span></div>	<div><span><span></span></span></div>
<div><span><span></span></span></div>	<div><span><span></span></span></div>
<div><span><span></span></span></div>	<div><span><span></span></span></div>
<div><span><span></span></span></div>	<div><span><span></span></span></div>

<b>Matériel (boitier)<span> </span>:</b>	UL94V-HB ABS
<b>Finition / Couleur<span> </span>:</b>	Semi mat / Blanc RAL 9003
<b>Poids<span> </span>:</b>	93 g
<b>Protection IP<span> </span>:</b>	IP42
<b>Conditions d’utlisation et de stockage</b>	
<b>Température ambiante<span> </span>:</b>	0 <span> </span> °C à +50 <span> </span> °C
<b>Humidité relative<span> </span>:</b>	Max. 90 <span> </span> %, pas de condensation
<b>Température de stockage<span> </span>:</b>	−10 <span> </span> °C à +70 <span> </span> °C
<b>Normes et conformité</b>	
<b>Émission CEM<span> </span>:</b>	EN 55015
<b>Immunité CEM<span> </span>:</b>	EN 61547
<b>Sécurité<span> </span>:</b>	EN 60950
<b>Environnement<span> </span>:</b>	Compatible avec WEEE et RoHS.
<b>Compatibilité logicielle</b>	
<b>Designer<span> </span>:</b>	4.1 ou supérieure
<b>Toolbox<span> </span>:</b>	2.2.12 ou supérieure