

Product no.	Switch		
23 100 00	2 NO	Solid	IP44
23 100 01	2 NC	Solid	IP44
23 100 02	NO + NC	Solid	IP44
23 100 05	2 NO	PG16	IP67
23 100 06	2 NC	PG16	IP67
23 100 07	NO + NC	PG16	IP67
23 100 25	2 NO	PG16	IP67
23 100 26	2 NC	PG16	IP67
23 100 27	NO + NC	PG16	IP67

- 23 100 25 - 27 with shield frame
- Turn relief
- Available with key release

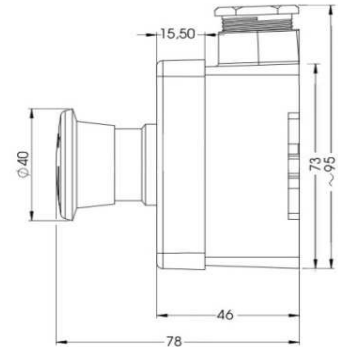
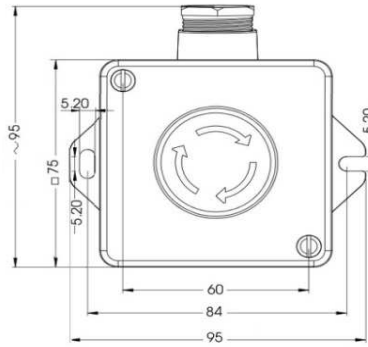
**Electrical data**
**Contacts**
**Ratings as per IEC 60947-5-1**

Rated insulation voltage, U		300 V
Rated thermal current, I		5 A
Rated operational current, I		
Utilization category AC-15	at: 240 V	1 A
Rated operational current, I	at: 24V	0.3 A
Utilization category DC-13	at: 125 V	0.2 A

**IP44**

**IP67**

**IP67**

**with shield frame**


## HEAVY INDUSTRY

Product no.	Switch		
23 100 10	2 NO	Solid	IP44
23 100 11	2 NC	Solid	IP44
23 100 12	NO + NC	Solid	IP44
23 100 15	2 NO	PG16	IP67
23 100 16	2 NC	PG16	IP67
23 100 17	NO + NC	PG16	IP67
23 100 55	2 NO	PG16	IP67
23 100 56	2 NC	PG16	IP67
23 100 57	NO + NC	PG16	IP67

- 23 100 55 - 57 with shield frame
- Push relief (turn relief available)
- Available with key release
- Max three connections, 1 more can be added, NO or NC (e.g. 2NC+NO, 3NC)

**IP44**

**IP67**

**IP67**

**with shield frame**
**Switching capacity :**

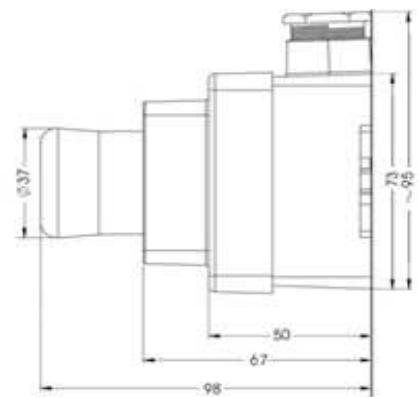
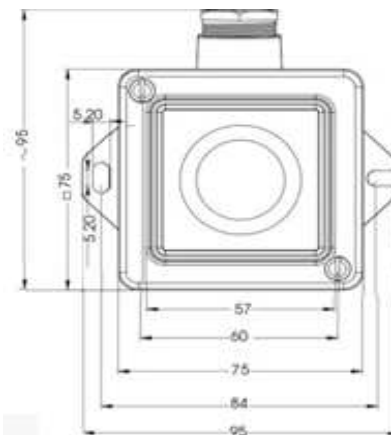
 Rated operational current I<sub>e</sub> A

**AC-15**

115 V	I <sub>e</sub> 6A
220 V-240 V	I <sub>e</sub> 4A
380 V-415 V	I <sub>e</sub> 4A
500 V	I <sub>e</sub> 2A

**DC-13**

24 V	I <sub>e</sub> 3A
42 V	I <sub>e</sub> 1,7A
60 V	I <sub>e</sub> 1.2A
110 V	I <sub>e</sub> 0.6A
220 V	I <sub>e</sub> 0.3A


**Through alternatives:**

- 1 pcs PG16, up or down. IP67 with multipart seal: 7,5-10-12,5-15
- Solid equipped with 2 x membrane seal (9-13), IP44. Installed by customer's needs, bottom/side.
- Please mention if you order the solid model how you would like to have your machining
- Customer specified models also! E.g. black box, **other cable gland**, safety shield, push-button with light and so on..