



PV 7.10 SKM8X20 CU (307 007)

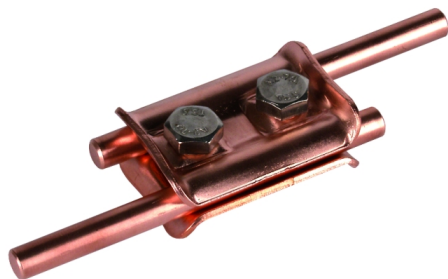
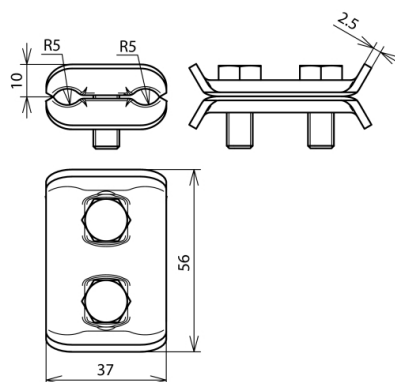


Figure without obligation



Part No.	307 007
Material of clamp	Cu
Clamping range Rd / Rd	7-10 mm
Screw	● M8 x 20 mm
Material of screw / nut	StSt
Standard	EN 62561-1
Weight	104 g
Customs tariff number	85389099
GTIN	4013364024168
PU	50 pc(s)

We reserve the right to introduce changes in performance, configuration and technology, dimensions, weights and materials in the course of technical progress. The figures are shown without obligation.