

Neptune – vandal resistant fitting with a maritime expression

Description

Neptune is a quality fitting in a circular shape (001) made of high pressure die-cast aluminium. Diffuser in UV- and vandal resistant polycarbonate, for HME-version acrylic diffuser. The decor is fixed with 4 torx screws in stainless steel which are given a Delta seal treatment. IP65 class I (class II versions on request).

Application areas

P-house, facades, entrances, stairs, pedestrian areas, underpasses and tunnels.

Mounting

Direct in ceiling or on wall.
The fittings can also be mounted on Arc pole.

Connection

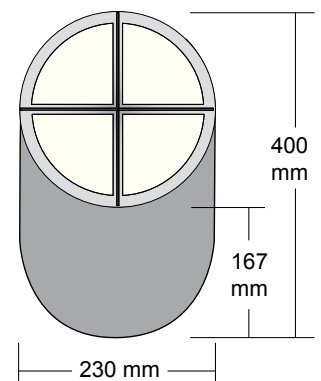
The fitting is prepared both for open and hidden installation. Push in terminal block 3x2x2,5 mm² with through-wiring possibilities.

Additional

- On request Protect can be supplied with the following:
- Emergency version with build in 1 hour battery unit, TC-DEL 1x18W (HF).
 - Dimming gear 1-10V or DSI.
 - Class II versions



House number plate



OUTDOOR

Number	Type	Decor	Diffuser	Colour	Light source	Weight (kg)
105333	Neptune 001	Cross	Opal	White	TC-D 1x18W G24d-2	1,7
105242	Neptune 001	Cross	Opal	Black	TC-D 1x18W G24d-2	1,7
105472	Neptune 001	Cross	Opal	Alu	TC-D 1x18W G24d-2	1,7
105427	Neptune 001	Cross	Opal	White	TC-DEL 1x26W G24q-3 HF	1,7
107282	Neptune 001	Cross	Opal	Black	TC-DEL 1x26W G24q-3 HF	1,7
105508	Neptune 001	Cross	Opal	Alu	TC-DEL 1x26W G24q-3 HF	1,7
105908	Neptune 001	Cross	Opal	White	HIE-CE 1x35W E27	1,8
105909	Neptune 001	Cross	Opal	Black	HIE-CE 1x35W E27	1,8
106154	Neptune 001	Cross	Opal	Alu	HIE-CE 1x35W E27	1,8
114165	Neptune 001	Cross	Opal	White	HIE-CE* 1x35W E27	1,8
114166	Neptune 001	Cross	Opal	Black	HIE-CE* 1x35W E27	1,8
114167	Neptune 001	Cross	Opal	Alu	HIE-CE* 1x35W E27	1,8
105109	Neptune 001	Cross	Opal	White	GLS 1x60W E27	1,4
105110	Neptune 001	Cross	Opal	Black	GLS 1x60W E27	1,4
105382	Neptune 001	Cross	Opal	Alu	GLS 1x60W E27	1,4
105289	Number plate 001			White		
111437	Number plate 001			Black		

Other versions of Neptune are available on request

Reservation for misprinting or product changes